

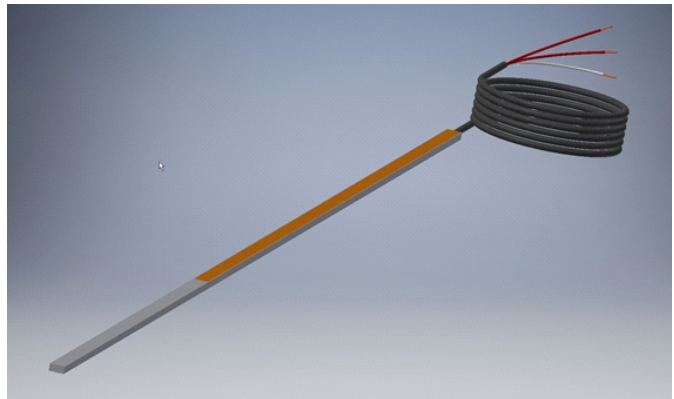
Sensor Technology Pt100 Slot Sensor Stator Winding



The Slot temperature sensor is developed to measure the temperature of electrical-mechanical machines. It is inserted in grooves strategically located to protect the equipment from the overheating and to avoid electromagnetic interference in this type of machinery.

This kind of sensor has two types: Core winding and Stator winding applications.

The special features of this thermoresistive sensor are: accuracy, response time, large sensitive area and low drift.



Pt100 Slot Sensor Stator Winding

General Information

Application: Sensor Core Winding and Stator Winding
Temperature Monitoring

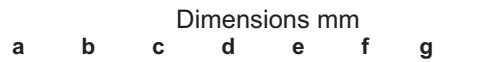
Extension Cables

Raw material: Tinned Copper
Diameter: 3x20 AWG or according to customer requirements
Insulation material / color : Teflon / (White / Red / Red) /
(Yellow / Black / Black)
Length: According to customer requirements

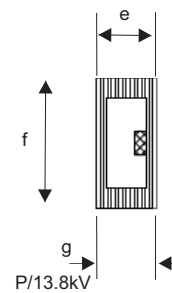
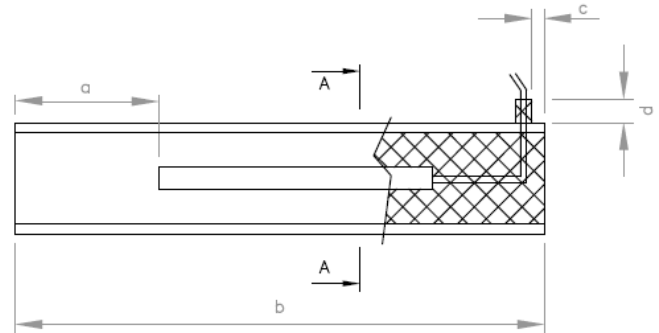
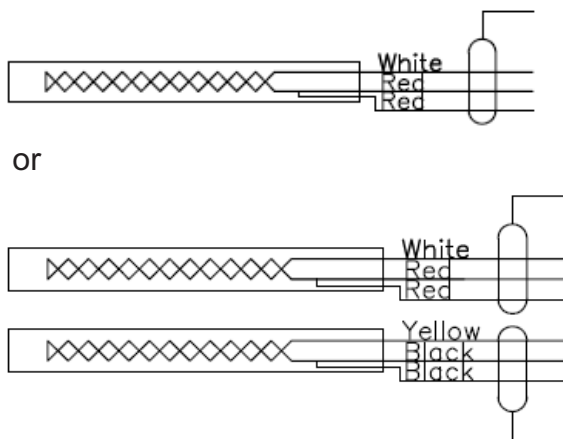
Sensor

Type: Pt-100
Standard: DIN IEC 751 class B or class A
Calibration: 100 @ 0°C
Insulation material: Glass Fiber / Epoxy Resin Temperature
Class F
Dimensions: According to Customer requirements
Conection: 2 / 3 or 4 Conductor per cable or Single wires
Sensor element: Single or double
Temperature calibration X Resistance at 0 and 100°C
Voltage test: 2500 VAC (60 Hz) X 1 min. According to
Customer requirements

Dimensions:



Connection Scheme



Section: A - A

Example:

